



Electrolux
PROFESSIONAL

**Modular Cooking Range Line
700XP Open Base Cupboard 1
Module with flanged feet**

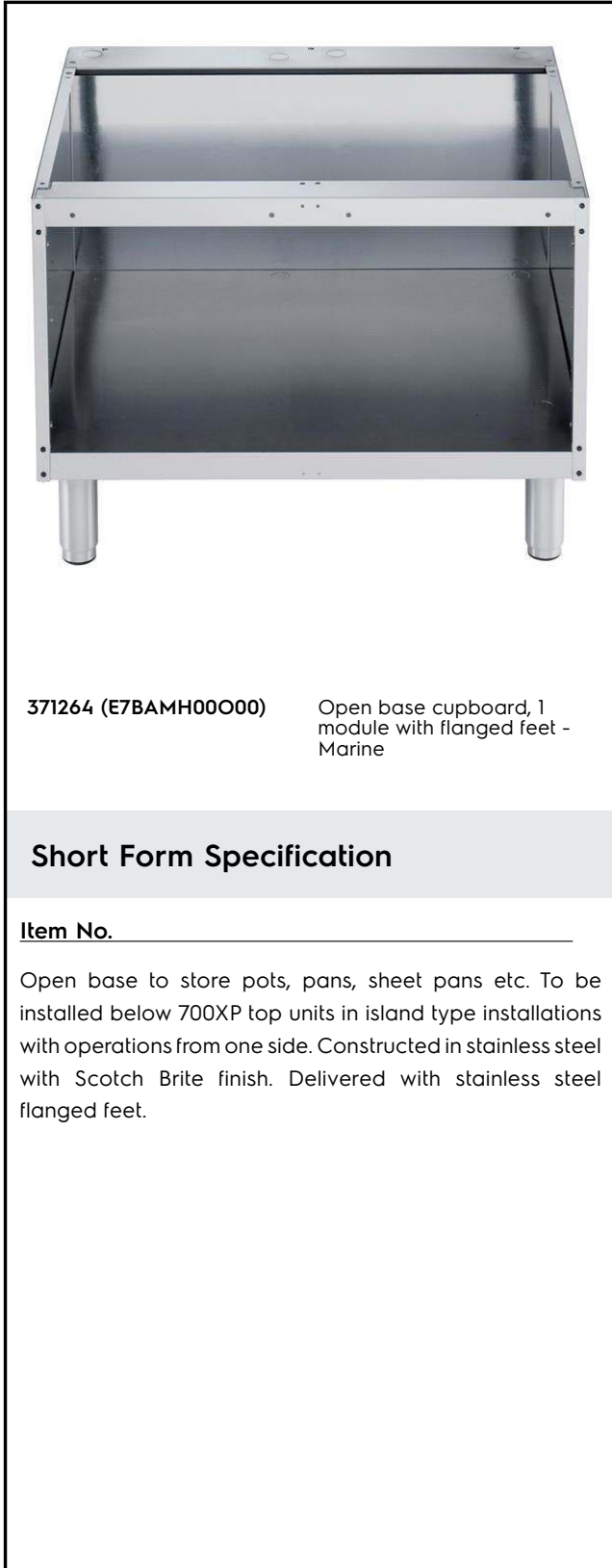
ITEM # _____

MODEL # _____

NAME # _____

SIS # _____

AIA # _____



371264 (E7BAMH00000) Open base cupboard, 1 module with flanged feet - Marine

Short Form Specification

Item No. _____

Open base to store pots, pans, sheet pans etc. To be installed below 700XP top units in island type installations with operations from one side. Constructed in stainless steel with Scotch Brite finish. Delivered with stainless steel flanged feet.

Main Features

- Unit can be easily installed below other 700 line top models.
- Unit delivered with 50 mm height adjustable feet in Stainless steel.
- Open base compartment for storage of pots, pans, sheet pans, etc.
- Doors with handles, drawers, heating kits and runners for GN containers can be ordered separately.

Construction

- Constructed in Stainless steel with Scotch Brite finish to meet the highest hygiene standards.
- Supplied with flanged stainless steel feet.

APPROVAL: _____



Optional Accessories

• Kit 4 wheels - 2 swivelling with brake - it is mandatory to install Base support and wheels	PNC 206135	<input type="checkbox"/>
• Frontal kicking strip for concrete installation, 800mm	PNC 206148	<input type="checkbox"/>
• Frontal kicking strip for concrete installation, 1000mm	PNC 206150	<input type="checkbox"/>
• Frontal kicking strip for concrete installation, 1200mm	PNC 206151	<input type="checkbox"/>
• Frontal kicking strip for concrete installation, 1600mm	PNC 206152	<input type="checkbox"/>
• Frontal kicking strip, 800mm (not for refr-freezer base)	PNC 206176	<input type="checkbox"/>
• Frontal kicking strip, 1000mm (not for refr-freezer base)	PNC 206177	<input type="checkbox"/>
• Frontal kicking strip, 1200mm (not for refr-freezer base)	PNC 206178	<input type="checkbox"/>
• Frontal kicking strip, 1600mm (not for refr-freezer base)	PNC 206179	<input type="checkbox"/>
• Kit 4 feet for concrete installation (not for 900 line free standing grill)	PNC 206210	<input type="checkbox"/>
• Central support for installation of drawers and grid (on 800/1200mm bases) and of doors (on 1200mm bases)	PNC 206245	<input type="checkbox"/>
• 2 panels for service duct for single "top on base" installation	PNC 206248	<input type="checkbox"/>
• Pair of side kicking strips	PNC 206249	<input type="checkbox"/>
• Electric heating kit for cupboards	PNC 206259	<input type="checkbox"/>
• Pair of side kicking strips for concrete installation	PNC 206265	<input type="checkbox"/>
• 2 drawers for open base cupboards, 100mm height	PNC 206318	<input type="checkbox"/>
• 2 side covering panels	PNC 206319	<input type="checkbox"/>
• 2 drawers (h=1000mm) for 700line base	PNC 206328	<input type="checkbox"/>
• Door for open base cupboard	PNC 206343	<input type="checkbox"/>
• Door for open base cupboard	PNC 206350	<input type="checkbox"/>
• Base support for feet or wheels - 800mm (700/900)	PNC 206367	<input type="checkbox"/>
• Base support for feet or wheels - 1200mm (700/900)	PNC 206368	<input type="checkbox"/>
• Base support for feet or wheels - 1600mm (700/900)	PNC 206369	<input type="checkbox"/>
• Base support for feet or wheels - 2000mm (700/900)	PNC 206370	<input type="checkbox"/>
• Rear paneling - 800mm (700/900)	PNC 206374	<input type="checkbox"/>
• Rear paneling - 1000mm (700/900)	PNC 206375	<input type="checkbox"/>
• Rear paneling - 1200mm (700/900)	PNC 206376	<input type="checkbox"/>

Key Information:

External dimensions, Width:	
371264 (E7BAMH00000)	800 mm
External dimensions, Depth:	550 mm
External dimensions, Height:	600 mm
Cupboard Cavity Dimensions (width):	800 mm
Cupboard Cavity Dimensions (height):	550 mm
Cupboard Cavity Dimensions (depth):	450 mm
Net weight:	15 kg

